

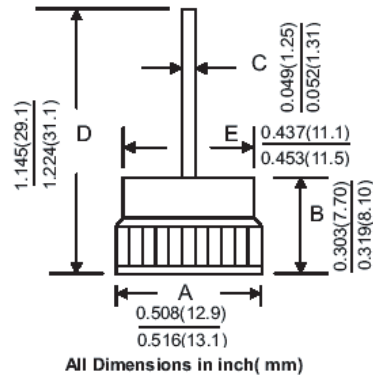
PBFR3501~3506P/N

DESCRIPTION



BOSCH TYPE PRESS-FIT

MECHANICAL DIMENSIONS



Features

- Low Cost
- Super Cool
- Long life Features
- High Current Capability

NOTE:

- 1.PBFR350XP Positive(Forward),(+) Cathode To Case, Color Code Red
- 2.PBFR350XN Negative(Reverse),(-) Anode To Case,Color Code Black

Electrical Characteristics@25C	Symbol	PBFR3501P PBFR3501N	PBFR3502P PBFR3502N	PBFR3504P PBFR3504N	PBFR3506P PBFR3506N	Unit
Average Forward Current, I _o at T _c =150C 60HZ, Resistive Or Inductive Load	I _F	35				A(DC)
Peak Reverse Voltage, Repetitive:VRRM	VRRM	100	200	400	600	V(DC)
DC Reverse Voltage, VR	V(DC)	100	200	400	600	
Maximum RMS Voltage	VRMS	70	140	280	420	
Max. Inst Forward Voltage Drop. VF at 80Amp	VF	1.18				V
Peak Forward Surge Current, IFM(surge): 8.3ms. Single Half Sine-Wave Superimposed On Rated Load (JEDEC method)	IFSM	400				A
Maximum Reverse Current IR At Rated DC Reverse Voltage. TC= 25C	IR	10				uA
Maximum Reverse Current IR At Rated DC Reverse Voltage. TC=100C	IR	500				uA
Maximum Thermal Resistance, Junction To Case (single side cooled)	R _{θJA}	1.2				C/W
Operating And Storage Temperature Range	T _j ; T _{strg}	-65 to +175				C